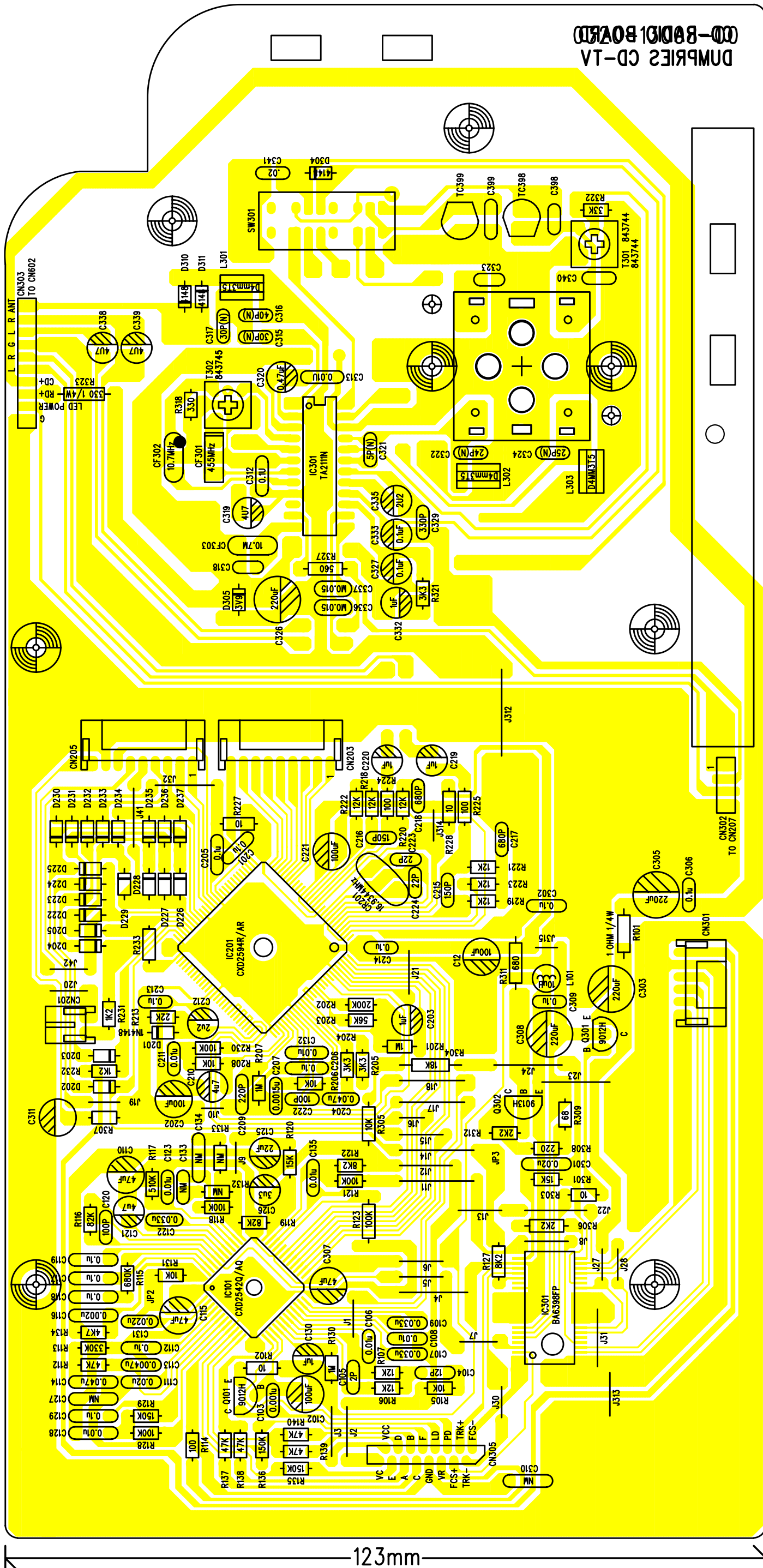


COMPONENT SIDE



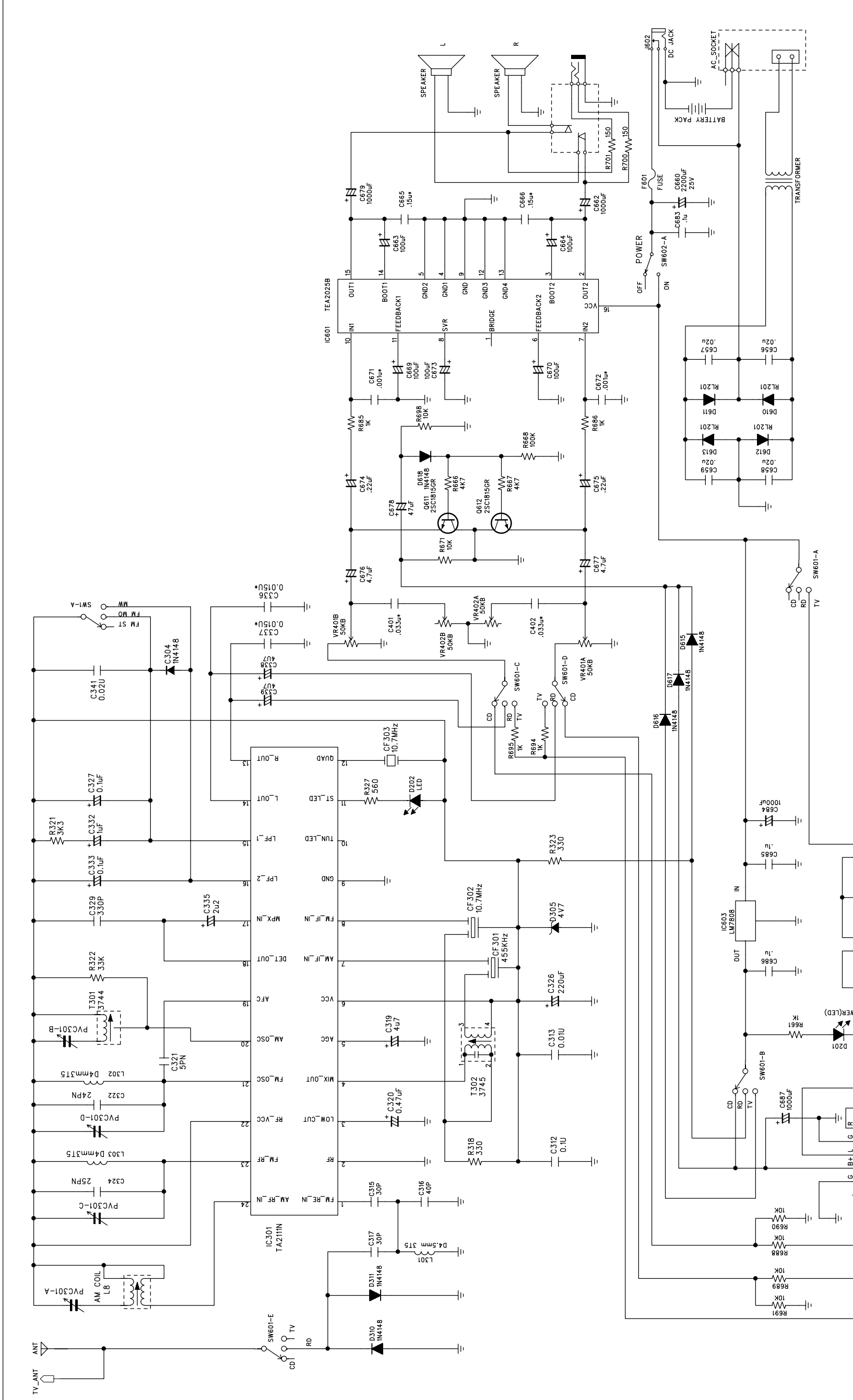
DUMPRIES CD-1V
CD-B00D1 BOARD

248mm

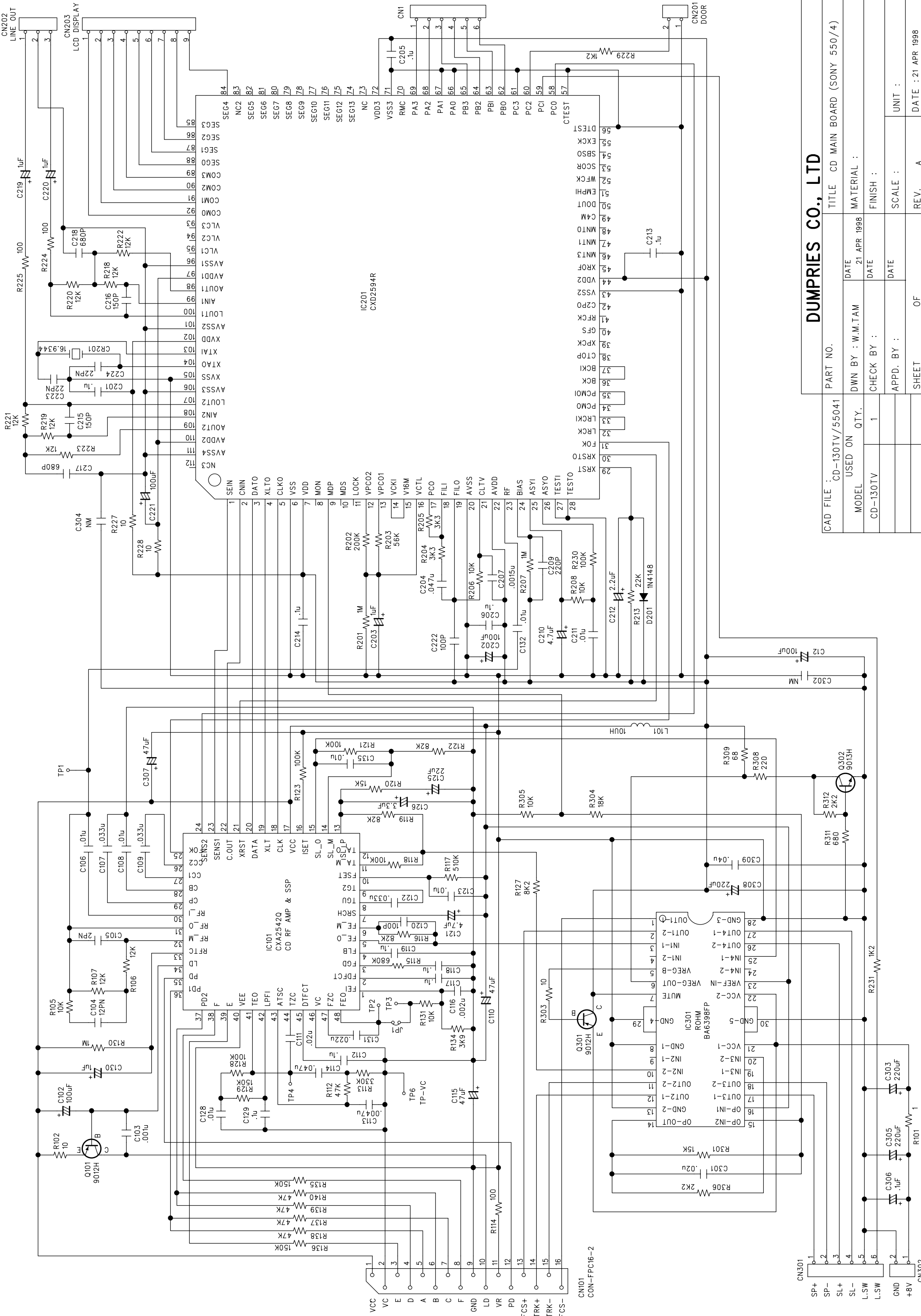
123mm

DUMPRIES CO., LTD

CAD FILE: CD-130TV-TV-CD1	PART NO. 0320-13008-00	TITLE CD & RADIO BOARD (FOR TA2111N)
MODEL USED ON QTY. CD-130TV	DWN. BY: W.M.TAM	DATE: 5 JULY 1999
1	CHECK BY:	DATE:
	APPD. BY:	DATE:
	SHEET OF	REV. A
	SCALE: 2 : 1	UNIT: MM
		DATE: 5 JULY 1999



DUMPRIES CO., LTD		PART NO.		TITLE RADIO & POWER BOARD (FOR TA2111N)	
		CAD FILE : CD-130TV/130-TV USED ON QTY.		DATE 13 JULY 1999 MATERIAL :	
MODEL CD-130TV		DWN BY : W.M.TAM		DATE	
1		CHECK BY :		DATE	
APPD. BY :		SCALE :		UNIT :	
SHEET OF		REV. A		DATE : 13 JULY 1999	



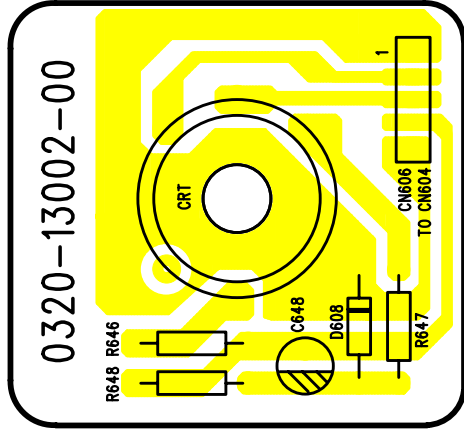
DUMPRIES CO., LTD

PART NO.		TITLE CD MAIN BOARD (SONY 550/4)	
CAD FILE	CD-130TV/55041	DATE	21 APR 1998
USED ON		DATE	
MODEL	DWN BY : W.M.TAM	DATE	
QTY.	1	CHECK BY :	
CD-130TV		APPD. BY :	
		SCALE :	
		UNIT :	
SHEET	OF	REV.	A
		DATE :	21 APR 1998

CON301	1	SP+
CON301	2	SP-
CON301	3	SL+
CON301	4	SL-
CON301	5	L.SW
CON301	6	L.SW
CON302	1	GND
CON302	2	+8V

REV	DATE
A-1	27 JULY 1998

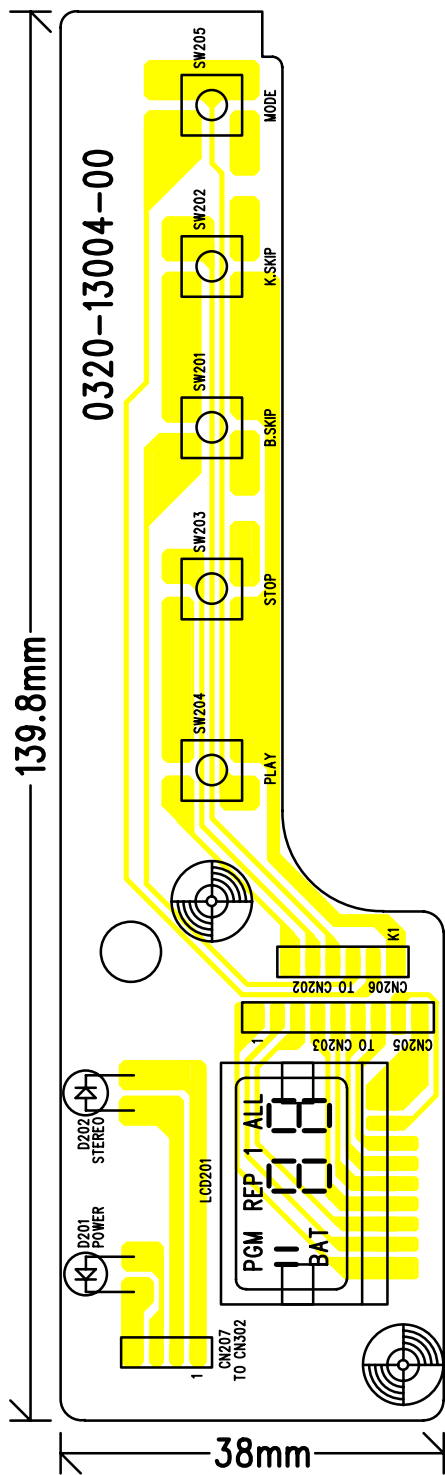
COMPONENT SIDE
37.25mm



CAD FILE: CD-130TV-TV-CRT		PART NO. 0320-13002-00	TITLE CRT BOARD
MODEL USED ON	QTY.	DWN. BY: W.M.TAM	DATE 4 JUNE 1998
CD-130TV	1	CHECK BY:	DATE
		APPD. BY:	DATE
		SHEET	OF
		SCALE: 2 : 1	UNIT: MM
		REV. A	DATE: 4 JUNE 1998

DUMPRIES CO., LTD

COMPONENTS SIZE



DUMPRIES CO., LTD			
CAD FILE: CD-130TV-TV-DIS	PART NO. 0320-13004-00	TITLE	DISPALY BOARD
MODEL USED ON	QTY. 1	DWN. BY: W.M.TAM	DATE 7 MAY 1998
CD-130TV		CHECK BY:	DATE
		APPD. BY:	DATE
		SHEET	OF
		REV. A	DATE: 7 MAY 1998
		SCALE: 2 : 1	UNIT: MM
		MATERIAL: 94HB 1.6MM THK.	FINISH:

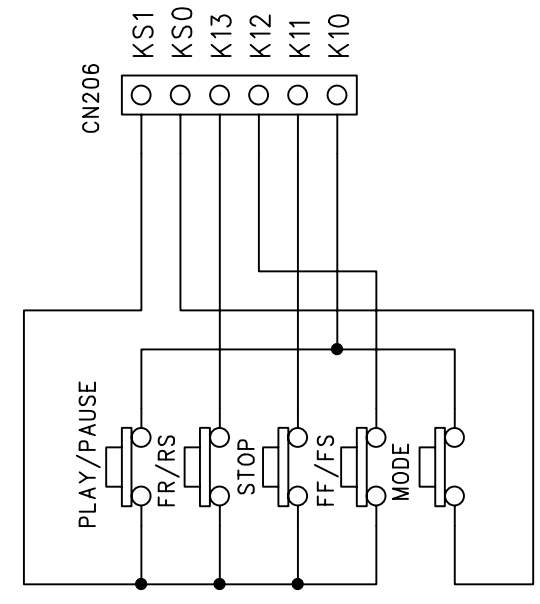
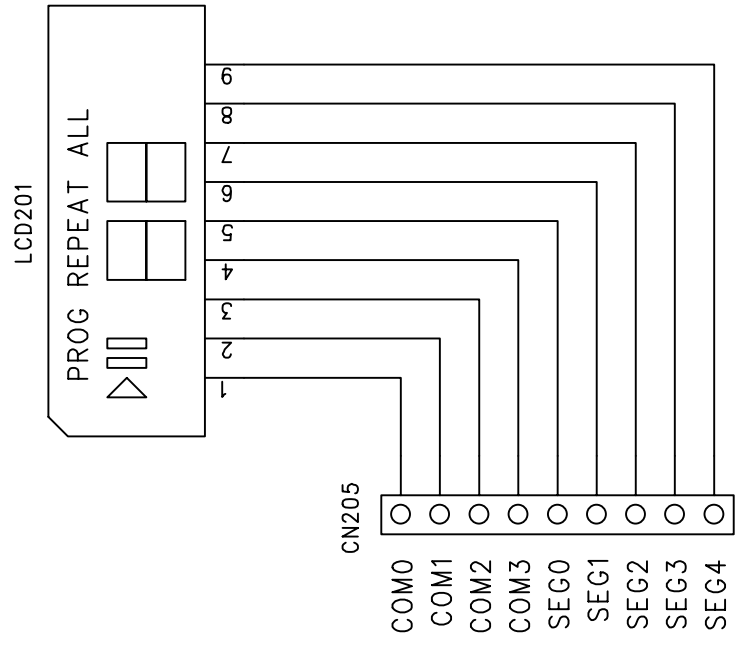
6 5 4 3 2 1

D

C

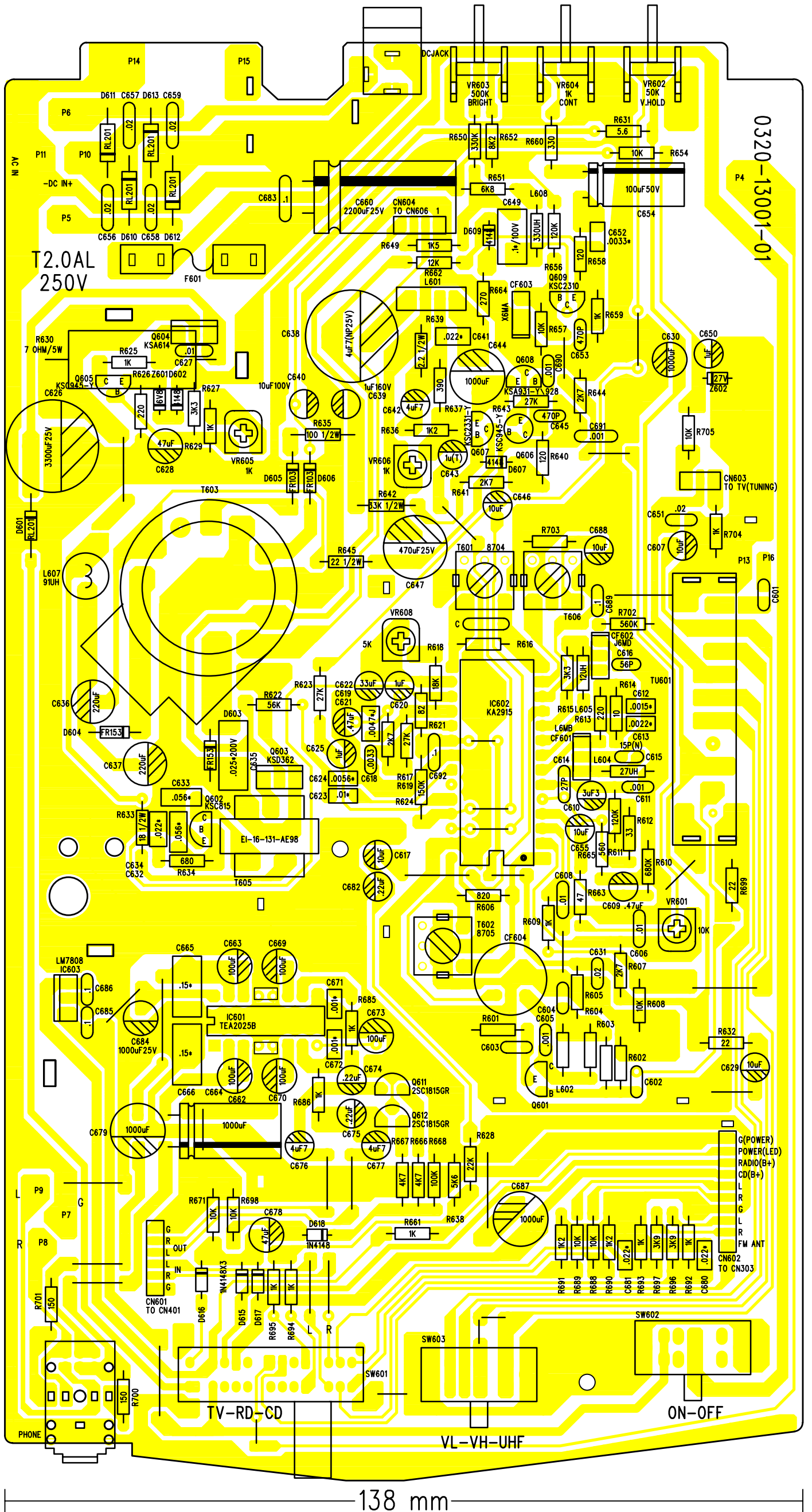
B

A



DUMPRIES CO., LTD

CAD FILE : CD-130TV/TV-DIS		PART NO.		TITLE DISPLAY BOARD (SONY 550 TYPE 4)	
MODEL USED ON	QTY.	DWN BY :	W.M.TAM	DATE	29 APR 1998
CD-130TV	1	CHECK BY :		DATE	
		APPD. BY :		DATE	
		SHEET	OF	REV.	A
				DATE : 29 APR 1998	



- CF604
- CF601
- CF602
- CF603
- R705
- PAL-I 39.5MHz LT6MB JT6MD XT6MA 10K
- PAL-I 38.9MHz LT5.5MB JT5.5MD XT5.5MA 10K
- PAL-DK 38MHz LT6.5MB JT6.5MD XT6.5MA 10K
- NTSC 45.75MHz LT4.5MB JT4.5MD XT4.5MA JUMPER
- PAL-I OTHER SYSTEM
- J659 NO USE JUMPER
- J649 JUMPER NO USE

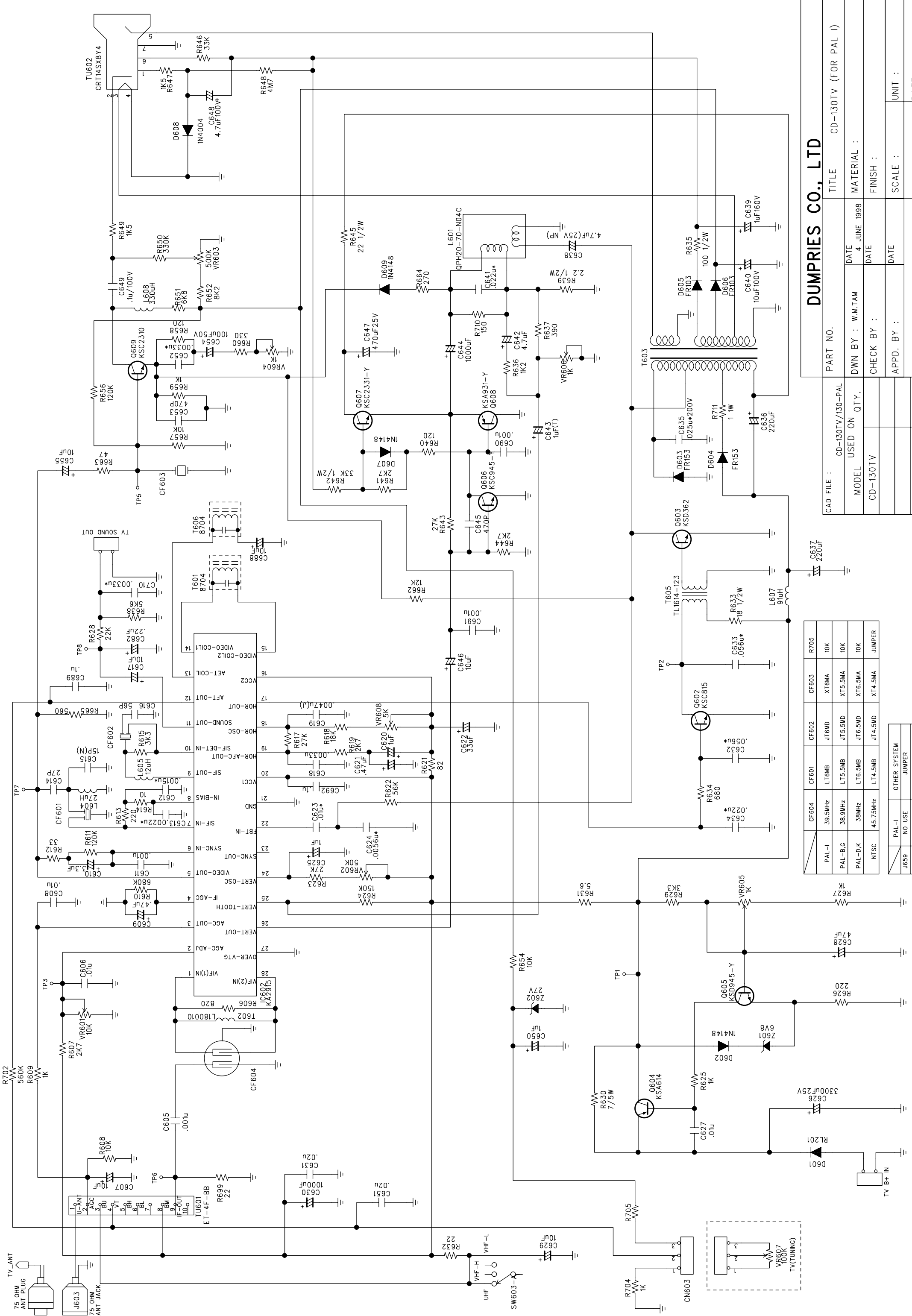
COMPONENTS SIZE

249 mm

138 mm

CAD FILE: CD-130TV-TV-P0		PART NO. 0320-13001-01		TITLE TV & POWER BOARD	
MODEL USED ON QTY. CD-130TV 1		DWN. BY: W.M.TAM		DATE 8 JUNE 1998	
CHECK BY:		DATE:		MATERIAL: 94HB 1.6MM THK.	
APPD. BY:		DATE:		FINISH:	
SHEET OF		REV. B		SCALE: 2:1	
				UNIT: MM	
				DATE: 6 JUL Y 1998	

DUMPRIES CO., LTD



DUMPRIES CO., LTD

PART NO.	CD-130TV/130-PAL	TITLE	CD-130TV (FOR PAL I)
MODEL	USED ON QTY.	MATERIAL :	
CD-130TV		DATE	4 JUNE 1998
DATE		DATE	
DATE		DATE	
DATE		DATE	
DATE		DATE	

CF604	CF601	CF602	CF603	R705
PAL-I	39.5MHz	LT6MB	JT6MD	XT6MA
10K	10K	10K	10K	10K
PAL-B-G	36.9MHz	LT5.5MB	JT5.5MD	XT5.5MA
10K	10K	10K	10K	10K
PAL-D-K	38MHz	LT6.5MB	JT6.5MD	XT6.5MA
10K	10K	10K	10K	10K
NTSC	45.75MHz	LT4.5MB	JT4.5MD	XT4.5MA
JUMPER				

PAL-I	OTHER SYSTEM
J659	JUMPER
J649	JUMPER
NO USE	NO USE

DATE : 13 JULY 1998
 REV. : B
 SCALE :
 UNIT :
 OF
 SHEET

